

Quick-Start Guide SWITCHLINC DIMMER

SwitchLinc V2 Dimmer (#2476D & #2476DH)

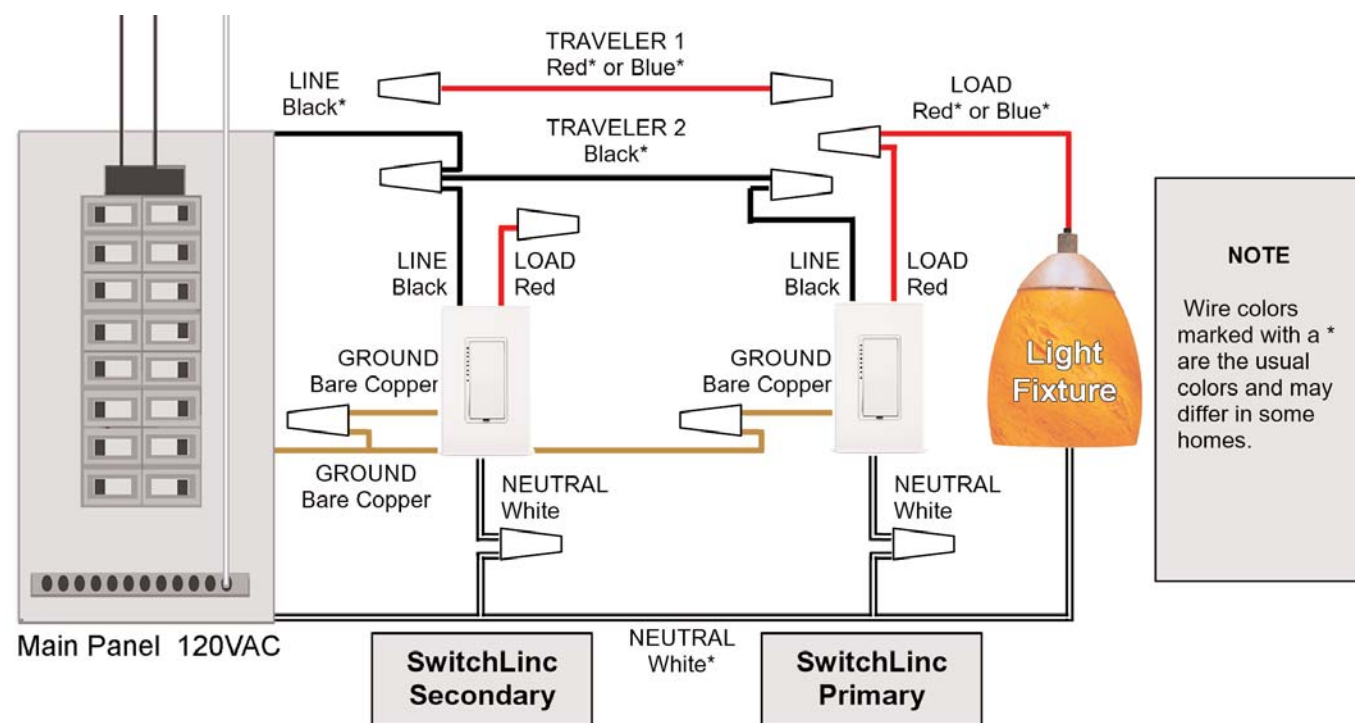


Need Help? For assistance call your friendly support person @ 866-243-8018

Using SwitchLinc Dimmers in Virtual Multi-Way Circuits

In a virtual multi-way circuit, only one SwitchLinc Dimmer, called the SwitchLinc Primary, actually controls the LOAD in the multi-way circuit. Any additional SwitchLinc Dimmers, called SwitchLinc Secondaries, are not connected to the LOAD, but only to the powerline (by being wired to the LINE and NEUTRAL). All of the SwitchLinc Dimmers can communicate with one another using INSTEON networking on the powerline. After wiring in the SwitchLinc Dimmers, you create the virtual multi-way circuit by setting up all of the SwitchLinc Dimmers to control each other.

The diagram below shows how you convert a wired-in three-way circuit into a virtual three-way circuit using two SwitchLinc Dimmers.



NOTE
Wire colors marked with a * are the usual colors and may differ in some homes.

Notice that one of the TRAVELER wires (number 1, the red one) is not used, so you will cap it off at both ends with a wire nut. The other TRAVELER (number 2, the black one) you will convert to a LINE wire. In the junction box where the SwitchLinc Secondary is, connect TRAVELER 2 to the existing LINE and also to the SwitchLinc Secondary's LINE wire. In the other junction box at the other end, you will connect TRAVELER 2 to the SwitchLinc Primary's LINE wire.

The SwitchLinc Primary's LOAD wire gets connected to the actual lights that are being controlled. The LOAD wire for any SwitchLinc Secondaries that you will be installing will not be connected to anything, so cap those LOAD wires off with a wire nut.

All SwitchLinc Dimmers, whether they are Primaries or Secondaries, must be connected to the NEUTRAL and to the GROUND wires. Note that the switches you are replacing will not normally have a connection to the NEUTRAL wire. If there is no NEUTRAL wire in the junction box, please consult an electrician or call SmartLabs Tech Support, 866-243-8018.

SmartLabs Limited Warranty
SmartLabs warrants to the original consumer of this product that, for a period of two years from the date of purchase, this product will be free from defects in material and workmanship and will perform in substantial conformity to the description of the product in the owner's manual. This warranty shall not apply to defects or errors caused by misuse or neglect.

Quick-Start Guide SWITCHLINC™ DIMMER

For Models: SwitchLinc V2 Dimmer (#2476D) - 600 Watt
SwitchLinc V2 Dimmer (#2476DH) - 1000 Watt

Your new SwitchLinc Dimmer allows you to dim and remotely control any light in your home at the touch of a button.



Need Help? For assistance call your friendly support person @ 866-243-8018

Preparation

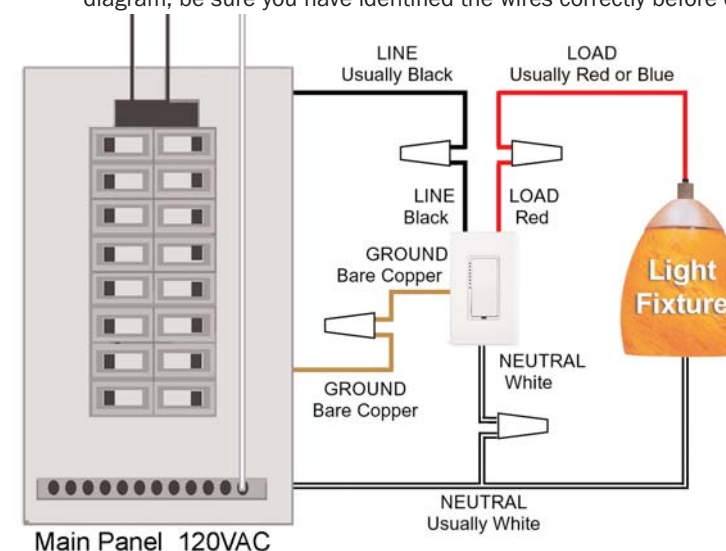
Installation should be performed only by a qualified electrician or by a homeowner who is familiar and comfortable with electrical circuitry. If there are any questions, consult an electrician. For setup questions contact Tech Support at SmartLabs for guidance.

Tools you will need:

- A standard screwdriver
- A Phillips screwdriver
- A wire cutter/stripper
- Optional: A #1 Phillips screwdriver to change the paddle color (sold separately)
- A voltage tester to identify wires inside the junction box

Installing Your SwitchLinc Dimmer

- Step 1.** Be sure you have properly installed two AccessPoints (#2443).
- Step 2.** At the circuit breaker or fuse panel, disconnect the power for all of the circuits in the switch junction box.
- Step 3.** Remove the faceplate from the switch junction box, then unscrew the switch and pull it out from the junction box.
- Step 4.** Disconnect the wires from the switch you are replacing and ensure you have 1/2" of bare wire on the ends.
- Step 5.** If you are installing SwitchLinc into a **two-way circuit** (where one switch controls the load), follow the diagram below to identify and connect the LINE, LOAD, NEUTRAL, and GROUND wires. If the colors of the wires do not match the diagram, be sure you have identified the wires correctly before connecting them.



NOTE
The NEUTRAL wire will not normally be connected to the switch you are replacing. If there is no NEUTRAL wire in the junction box, please consult an electrician or call
SmartLabs Tech Support
866-243-8018

- Step 6.** If you are installing into a **multi-way circuit** (where more than one switch controls the load), consult the User's Guide.
- Step 7.** Ensure that all wire connectors are firmly attached and that there is no exposed copper except for the GROUND wire.
- Step 8.** Orient SwitchLinc Dimmer with the LED bar at the left, gently place it into the junction box, then screw it into place.
- Step 9.** Turn the circuit breaker back on or re-install the fuse.
- Step 10.** Test that SwitchLinc Dimmer is working properly by turning the light on and off.
- Step 11.** Reinstall the faceplate.

Quick-Start Guide SWITCHLINC DIMMER

SwitchLinc V2 Dimmer (#2476D & #2476DH)



Need Help? For assistance call your friendly support person @ 866-243-8018

Using Your SwitchLinc Dimmer




- **Tap** the Paddle Top to turn your light on
- **Tap** the Paddle Bottom to turn your light off
- **Press and hold** the Paddle Top to brighten your light
- **Press and hold** the Paddle Bottom to dim your light
- **Double tap** the Paddle Top to turn your light on quickly
- **Double tap** the Paddle Bottom to turn your light off quickly

Setting Up Your SwitchLinc Dimmer to Control an INSTEON Device Remotely

Step 1. Press and hold the SwitchLinc Dimmer's Paddle Top for 10 seconds until its LED starts blinking and the light flashes – then release.

Your SwitchLinc Dimmer is now in Linking Mode. You have 4 minutes to complete Step 2.

Step 2. Select the device you would like to control and follow the setup instructions from the table below:

Device	Setup Instructions
 SwitchLinc Dimmer	• Press and hold the second SwitchLinc Dimmer's Paddle Top for 10 seconds until the light it controls flashes – then release. <i>The first SwitchLinc Dimmer will exit Linking Mode, and its LED will stop blinking.</i>
 Lamp Dimmer	• Press and hold the Lamp Dimmer's SET button for 3 seconds until the lamp it controls flashes – then release. <i>The SwitchLinc Dimmer will exit Linking Mode, and its LED will stop blinking.</i>
 Appliance Module	• Press and hold the Appliance Module's SET button for 3 seconds until its Status LED blinks – then release. <i>The SwitchLinc Dimmer will exit Linking Mode, and its LED will stop blinking.</i>
Other INSTEON-Enabled Devices	See device's Quick-Start Guide or User's Guide

Step 3. Test that the SwitchLinc Dimmer is working properly by turning the light on and off.

Setting Up an INSTEON Controller to Control a SwitchLinc Dimmer Remotely

Step 1. On your INSTEON controller **press and hold** the ON button of your choice for 10 seconds until the LED begins blinking slowly – then release.

Your INSTEON Controller is now in Linking Mode. You have 4 minutes to complete step 2.

Step 2. Press and hold the SwitchLinc Dimmer's Paddle Top for 10 seconds until the light flashes – then release.
Your INSTEON Controller's LED will stop blinking to indicate successful linking.

Step 3. On your INSTEON Controller press the ON and OFF buttons several times to make sure everything is working properly.

Quick-Start Guide SWITCHLINC DIMMER

SwitchLinc V2 Dimmer (#2476D & #2476DH)



Need Help? For assistance call your friendly support person @ 866-243-8018

Using Your SwitchLinc Dimmer's Advanced Features

To unlink a device from your SwitchLinc Dimmer

1. Press and hold the **Paddle Top** for 10 seconds until the light flashes - then release.
2. Press and hold the **Paddle Top again** for 10 seconds until the light flashes again - then release.
3. On the INSTEON device you wish to unlink, press and hold the **ON Button** for 10 seconds or the **SET Button** for 3 seconds.

To change the SwitchLinc Dimmer's Local On-Level or Ramp Rate

1. Dim or brighten to the desired **Ramp Rate** (dimmer = slower Ramp Rate).
2. Press the **SET Button TWICE**. The light will flash once. Test by tapping the paddle.
3. Dim or brighten to the desired **On-Level** brightness.
4. Press the **SET Button ONCE**. The light will flash once. Test by tapping the paddle.
5. Don't link SwitchLinc Dimmer for 4 minutes.

To change the SwitchLinc Dimmer's Remote-Controlled On-Level or Ramp Rate

1. Dim or brighten to the desired **On-Level** brightness.
2. Press the **SET Button ONCE**. The light will flash once.
3. Dim or brighten to the desired **Ramp Rate** (dimmer = slower Ramp Rate).
4. Press the **SET Button TWICE**. The light will flash once.
5. Go into **Linking Mode** on the INSTEON Controller that will control this SwitchLinc.
6. Press and hold this SwitchLinc's **Paddle Top** for 10 seconds until the light flashes - then release.
7. The Local Ramp Rate and On-Level will be unchanged.

To factory reset your SwitchLinc Dimmer

1. Pull the **SET Button all the way out** and wait 10 seconds.
2. Push the **SET Button all the way in** and hold for 3 seconds - then release.
3. After 3 seconds, the light will turn on fully.

Notes

- Pressing the SET Button after going into Linking Mode will change Linking Mode to Scene Setup (Multi-Link) Mode
- Any paddle press will exit Linking Mode early
- Please consult User's Guide for power derating information

For detailed instructions on how to operate all the features of your SwitchLinc Dimmer, please refer to the User's Guide at <http://www.smarthome.com/2476d.html>

Optional for X10 Users

To give the SwitchLinc Dimmer an X10 Primary Address

1. Press and hold the **Paddle Top** for 10 seconds until the light flashes - then release.
2. **Send the desired X10 Primary Address THREE times**. The light will flash again.
3. The X10 On-Level and Ramp Rate will be the same as the Local On-Level and Ramp Rate.

To remove an X10 Primary Address from the SwitchLinc Dimmer

1. Press and hold the **Paddle Top** for 10 seconds until the light flashes - then release.
2. Press and hold the **Paddle Top again** for 10 seconds until the light flashes again - then release.
3. **Send any X10 address THREE times**. The light will flash again.