

# Quick-Start Guide SWITCHLINC RELAY

SwitchLinc V2 Relay (#2476S)

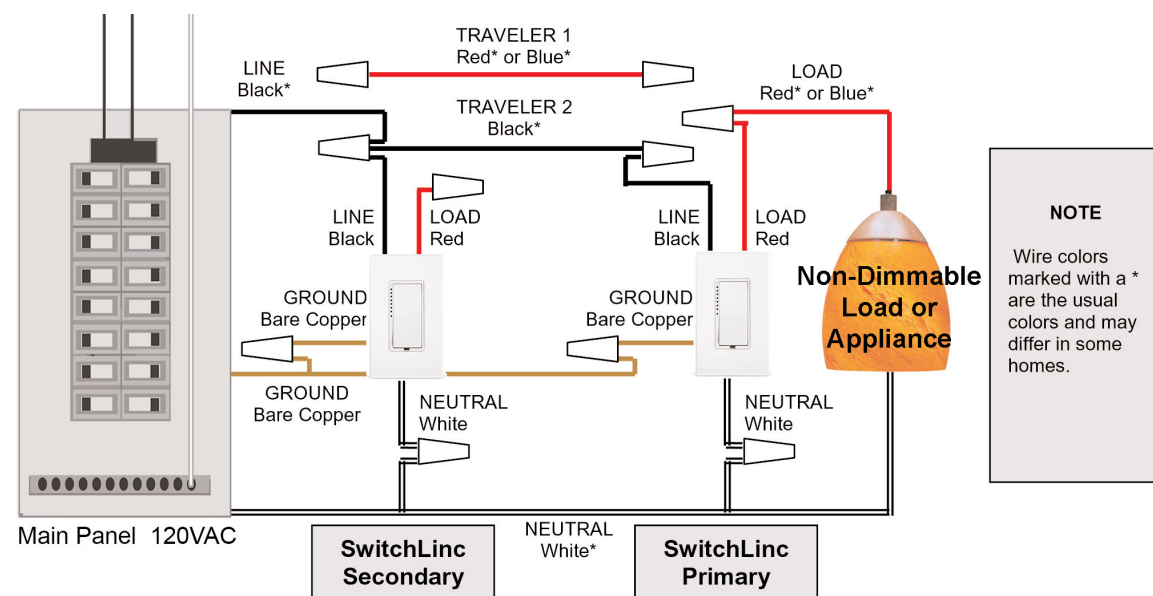


Need Help? For assistance call your friendly support person @ 866-243-8018

## Using the SwitchLinc Relay in Virtual Multi-Way Circuits

In a virtual multi-way circuit, only one SwitchLinc Relay, called the SwitchLinc Primary, actually controls the LOAD in the multi-way circuit. Any additional SwitchLinc Relays, called SwitchLinc Secondaries, are not connected to the LOAD, but only to the powerline (by being wired to the LINE and NEUTRAL). All of the SwitchLinc Relays can communicate with one another using INSTEON networking on the powerline. After wiring in the SwitchLinc Relays, you create the virtual multi-way circuit by setting up all of the SwitchLinc Relays to control one another.

The diagram below shows how you convert a wired-in three-way circuit into a virtual three-way circuit using two SwitchLinc Relays.



Notice that one of the TRAVELER wires (number 1, the red one) is not used, so you will cap it off at both ends with a wire nut. The other TRAVELER (number 2, the black one) you will convert to a LINE wire. In the junction box where the SwitchLinc Secondary is, connect TRAVELER 2 to the existing LINE and also to the SwitchLinc Secondary's LINE wire. In the other junction box at the other end, you will connect TRAVELER 2 to the SwitchLinc Primary's LINE wire.

The SwitchLinc Primary's LOAD wire gets connected to the actual lights that are being controlled. The LOAD wire for any SwitchLinc Secondaries that you will be installing will not be connected to anything, so cap those LOAD wires off with a wire nut.

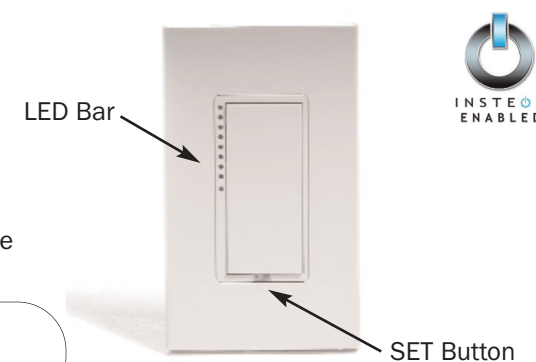
All SwitchLinc Relays, whether they are Primaries or Secondaries, must be connected to NEUTRAL and to GROUND. Note that the switches you are replacing will not normally have a connection to NEUTRAL. If there is no NEUTRAL wire in the junction box, please consult an electrician or call SmartLabs Tech Support, 866-243-8018.

**SmartLabs Limited Warranty**  
SmartLabs warrants to the original consumer of this product that, for a period of two years from the date of purchase, this product will be free from defects in material and workmanship and will perform in substantial conformity to the description of the product in the owner's manual. This warranty shall not apply to defects or errors caused by misuse or neglect.

# Quick-Start Guide SWITCHLINC™ RELAY

SwitchLinc V2 Relay (#2476S)

Your new SwitchLinc Relay allows you to control lights and other non-dimmable devices in your home at the touch of a button.



Need Help? For assistance call your friendly support person @ 866-243-8018

## Preparation

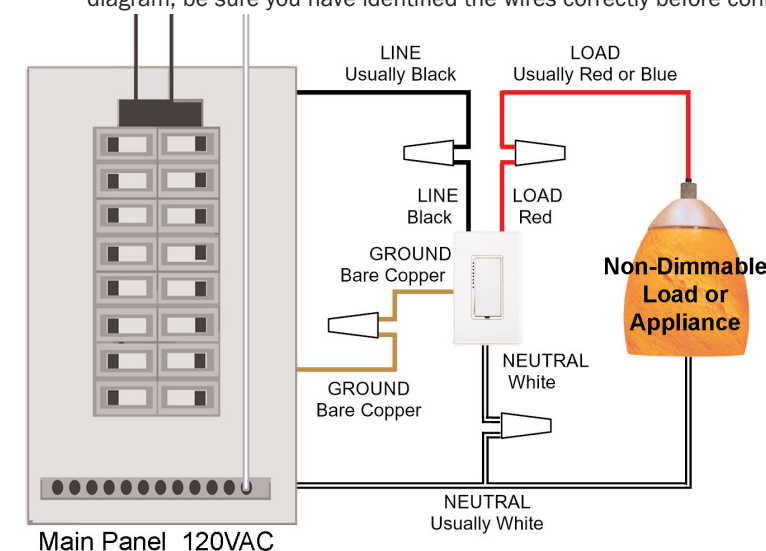
Installation should be performed only by a qualified electrician, or by a homeowner who is familiar and comfortable with electrical circuitry. If there are any questions, consult an electrician. For setup questions contact Tech Support at SmartLabs for guidance.

### Tools you will need:

- A standard screwdriver.
- A Phillips screwdriver.
- A wire cutter/stripper.
- Optional: A #1 Phillips screwdriver to change the paddle color (sold separately).
- A voltage tester to identify wires inside the junction box.

## Installing Your SwitchLinc Relay

- Step 1.** Be sure you have properly installed two AccessPoints (#2443).
- Step 2.** At the circuit breaker or fuse panel, disconnect the power for all of the circuits in the switch junction box.
- Step 3.** Remove the faceplate from the switch junction box, then unscrew the switch and pull it out from the junction box.
- Step 4.** Disconnect the wires from the switch you are replacing and ensure you have 1/2" of bare wire on the ends.
- Step 5.** If you are installing the SwitchLinc into a **two-way circuit** (where one switch controls the load), follow the diagram below to identify and connect the LINE, LOAD, NEUTRAL, and GROUND wires. If the colors of the wires do not match the diagram, be sure you have identified the wires correctly before connecting them.



- Step 6.** If you are installing into a **multi-way circuit** (where more than one switch controls the load), consult the User's Guide.
- Step 7.** Ensure that all wire connectors are firmly attached and that there is no exposed copper except for the GROUND wire.
- Step 8.** Orient the SwitchLinc with the LED bar at the left, gently place it into the junction box, then screw it into place.
- Step 9.** Turn the circuit breaker back on or reinstall the fuse.
- Step 10.** Test that the SwitchLinc is working properly by turning the light on and off.
- Step 11.** Reinstall the faceplate.

## Quick-Start Guide SWITCHLINC RELAY

SwitchLinc V2 Relay (#2476S)



Need Help? For assistance call your friendly support person @ 866-243-8018

### Using Your SwitchLinc Relay




- Tap the Paddle Top to turn your load on.
- Tap the Paddle Bottom to turn your load off.

### Setting Up Your SwitchLinc Relay to Control an INSTEON Device Remotely

**Step 1.** Press and hold the SwitchLinc Relay's Paddle Top for 10 seconds until its LED starts blinking – then release.

*Your SwitchLinc Relay is now in Linking Mode. You have 4 minutes to complete Step 2.*

**Step 2.** Select the device you would like to control and follow the setup instructions from the table below:

Device	Setup Instructions
 SwitchLinc Dimmer	• <b>Press and hold</b> the SwitchLinc Dimmer's Paddle Top for 10 seconds until the light it controls flashes – then release. <i>The SwitchLinc Relay will exit Linking Mode, and its LED will stop blinking.</i>
 Lamp Dimmer	• <b>Press and hold</b> the Lamp Dimmer's SET button for 3 seconds until the lamp it controls flashes – then release. <i>The SwitchLinc Relay will exit Linking Mode, and its LED will stop blinking.</i>
 Appliance Module	• <b>Press and hold</b> the Appliance Module's SET button for 3 seconds until its Status LED blinks – then release. <i>The SwitchLinc Relay will exit Linking Mode, and its LED will stop blinking.</i>
Other INSTEON-Enabled Devices	See device's Quick-Start Guide or User's Guide

**Step 3.** Test that SwitchLinc Relay is working properly by turning the load on and off.

### Setting Up an INSTEON Controller to Control a SwitchLinc Remotely

**Step 1.** On your INSTEON controller **press and hold** the ON button of your choice for 10 seconds until the LED begins blinking slowly – then release.

*Your INSTEON Controller is now in Linking Mode. You have 4 minutes to complete step 2.*

**Step 2.** **Press and hold** the SwitchLinc's Paddle Top for 10 seconds until the LED flashes – then release.

*Your INSTEON Controller's LED will stop blinking to indicate successful linking.*

**Step 3.** On your INSTEON Controller press the ON and OFF buttons several times to make sure everything is working properly.

## Quick-Start Guide SWITCHLINC RELAY

SwitchLinc V2 Relay (#2476S)



Need Help? For assistance call your friendly support person @ 866-243-8018

### Using Your SwitchLinc Relay's Advanced Features

#### To unlink a device from your SwitchLinc Relay

1. Press and hold the **Paddle Top** for 10 seconds – then release.
2. Press and hold the **Paddle Top again** for 10 seconds – then release.
3. On the INSTEON device you wish to unlink, press and hold the **ON Button** for 10 seconds or the **SET Button** for 3 seconds.

#### To factory reset your SwitchLinc Relay

1. Press and hold the **Paddle Top** for 10 seconds – then release.
2. Tap the **SET Button all the way in** – then release.
3. Push the **SET Button all the way in** and hold for 10 seconds – then release.

#### Notes

- Pressing the SET Button after going into Linking Mode will change Linking Mode to Scene Setup (Multi-Link) Mode
- Any paddle press will exit Linking Mode early.

For detailed instructions on how to operate all the features of your SwitchLinc Relay, please refer to the User's Guide at <http://www.smarthome.com/2476s.html>

### Optional for X10 Users

#### To give your SwitchLinc Relay an X10 Primary Address

1. Press and hold the **Paddle Top** for 10 seconds – then release.
2. **Send the desired X10 Primary Address THREE times.**

#### To remove an X10 Primary Address from Your SwitchLinc Relay

1. Press and hold the **Paddle Top** for 10 seconds – then release.
2. Press and hold the **Paddle Top again** for 10 seconds – then release.
3. **Send any X10 address THREE times.**